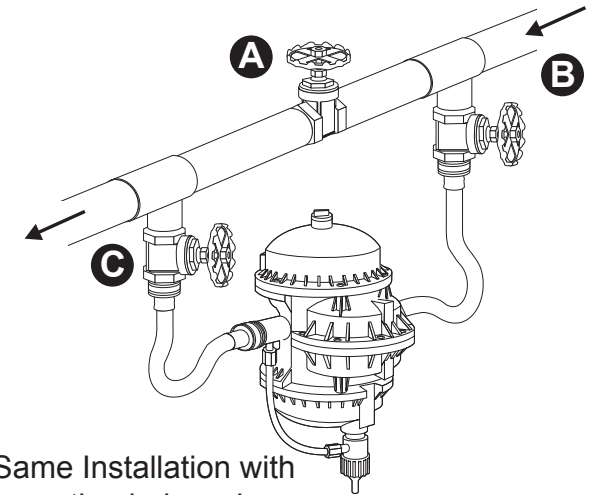
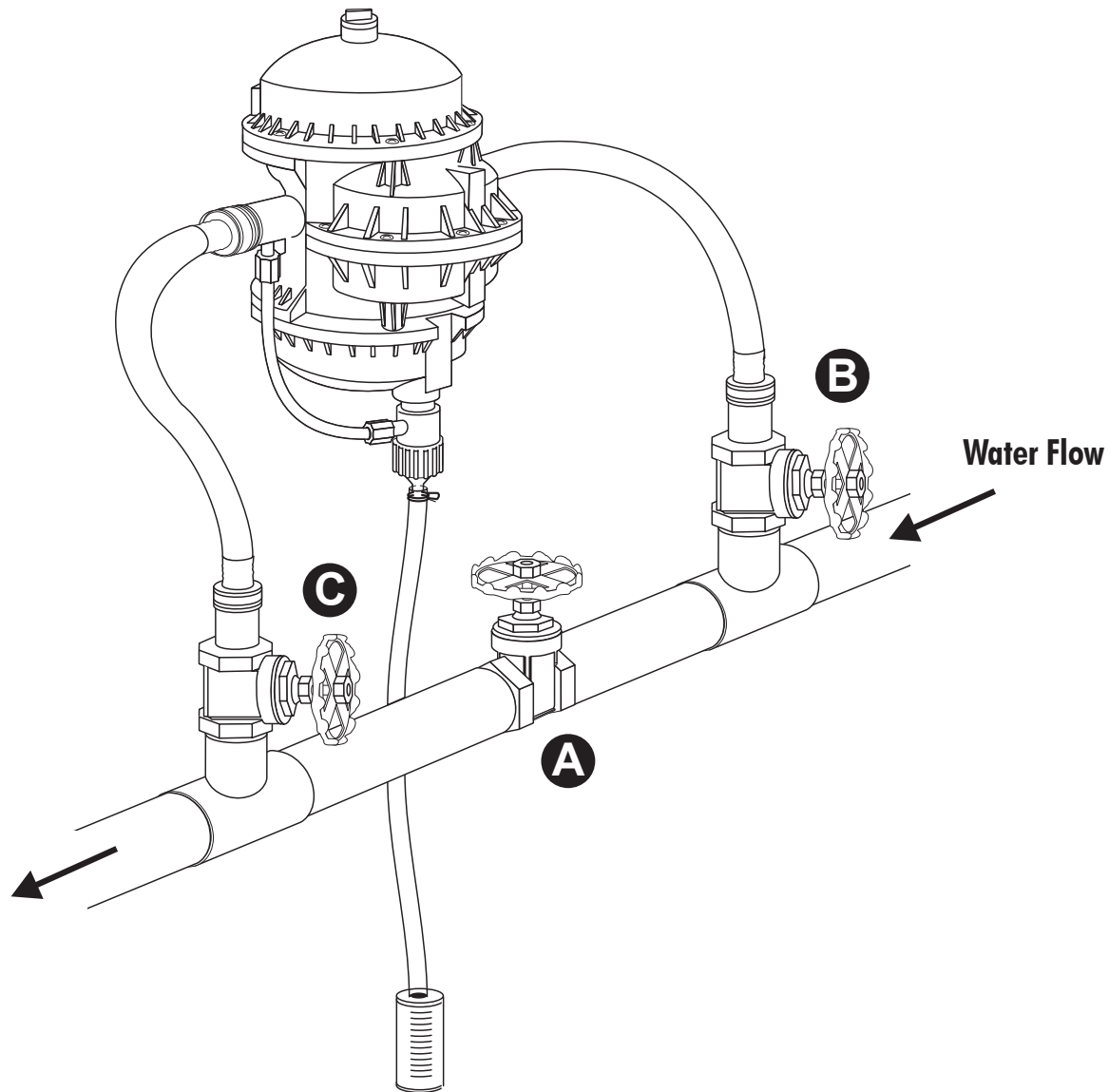
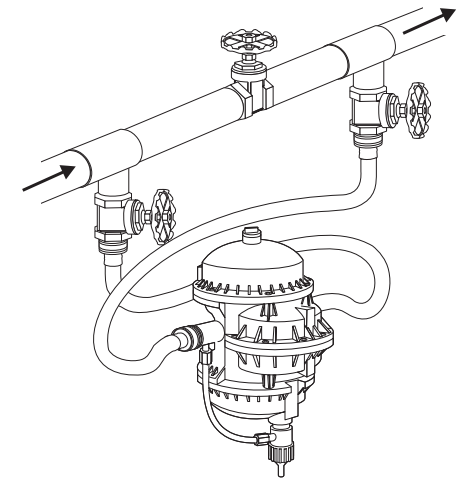


HN55 Basic Installation Diagrams



Same Installation with mounting below pipe



Water must flow through motor from right to left. If necessary, crisscross hoses to accommodate setup.